

# FE-13 Component Description

## Pressure Operated Control Head

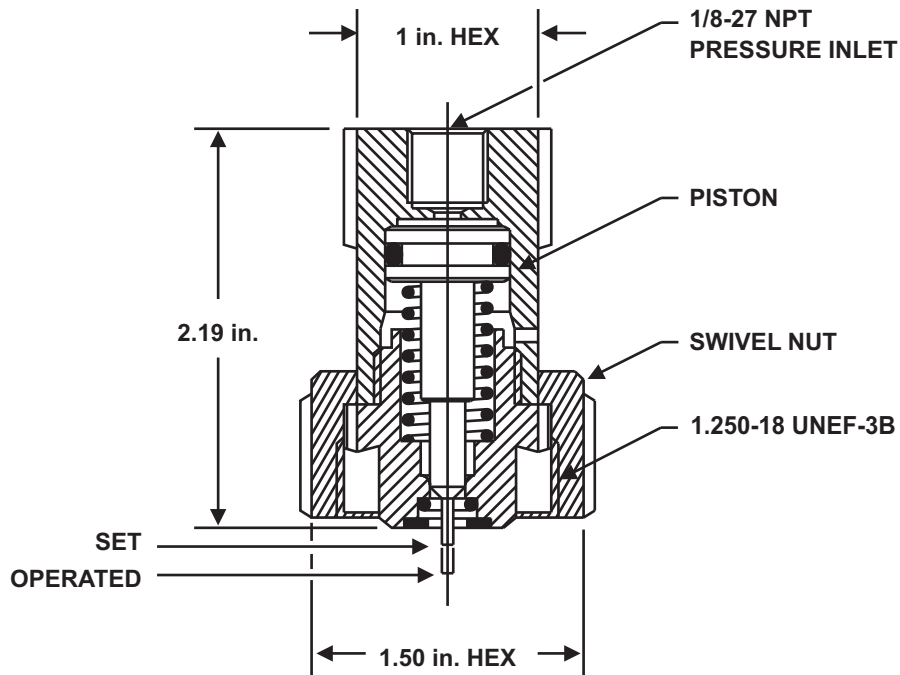


A UTC Fire & Security Company

Effective: May 2010

K-96-3135

P/N: 82-878737-000



### MATERIALS

**BODY, RETAINING NUT, AND PISTON: BRASS**

This literature is provided for informational purposes only. KIDDE-FENWAL, INC. assumes no responsibility for the product's suitability for a particular application. The product must be properly applied to work correctly. If you need more information on this product, or if you have a particular question, contact KIDDE-FENWAL, INC., Ashland, MA 01721. Telephone: (508) 881-2000.